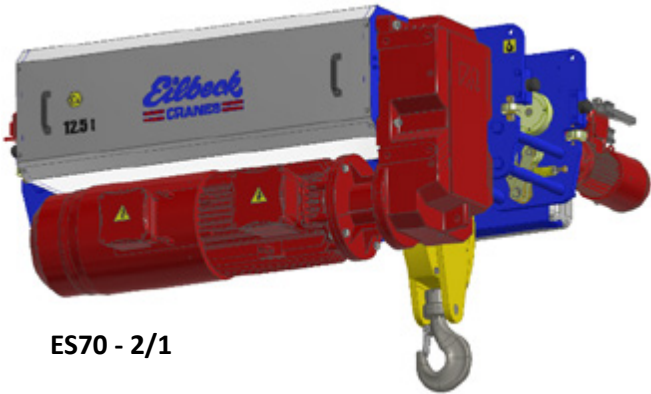
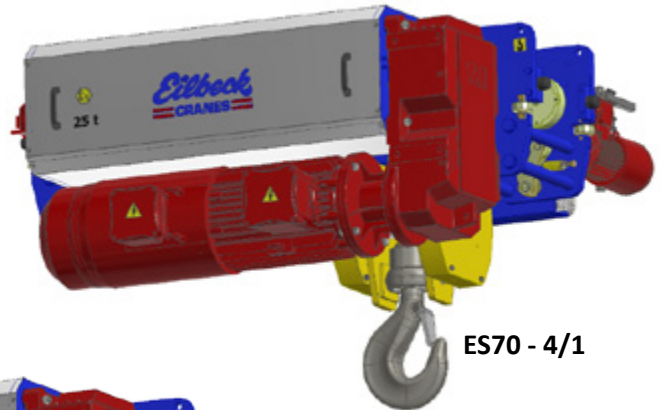


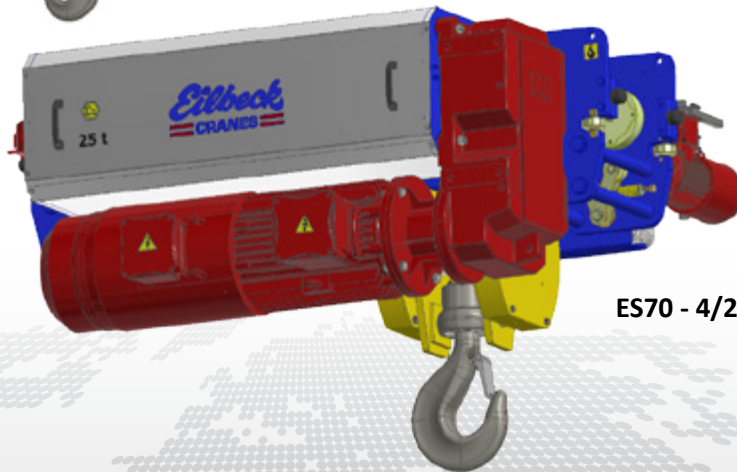
EXPLOSION PROTECTED CRANE SYSTEMS



ES70 - 2/1



ES70 - 4/1



ES70 - 4/2

Reeving	2/1	<input type="checkbox"/>	4/1	<input type="checkbox"/>	4/2	<input type="checkbox"/>
Model Number		Serial Number		
MRC or WLL		Year of Manufacture	2018		

EC  GLOBAL

TECHNICAL DATA - ES 70

INDEX

1.1. General Dimensions - Model ES70	3
1.1.1. Reeving 2.1.....	3
1.1.2. Reeving 4.1.....	3
1.1.3. Reeving 4.2.....	3
1.2. Hoisting Data - Model ES70	4
1.2.1. Reeving 2.1.....	4
1.2.2. Reeving 4.1.....	5
1.2.3. Reeving 4.2.....	6
1.3. Cross Travel Data - Model ES70	7
1.3.1. Reeving 2.1.....	7
1.3.2. Reeving 4.1.....	7
1.3.3. Reeving 4.2.....	7
1.4. Torque Settings	8

1.1. General Dimensions - Model ES70

1.1.1. Reeving 2.1

HOL [m]	LO [mm]	LW [mm]	HS [mm]	FW [mm]	Grooved Length [mm]	Max Mass [kg]	Rope Length [m]
40	2224	1728	597	200-600	1315	2208	88
60	2824	2328	499	200-600	1915	2479	128
80	3419	2923	666	200-600	2510	2747	168

1.1.2. Reeving 4.1

HOL [m]	LO [mm]	LW [mm]	HS [mm]	FW [mm]	Grooved Length [mm]	Max Mass [kg]	Rope Length [m]
20	2224	1728	166	200-600	1315	2652	90
30	2824	2328	448	200-600	1915	2943	130
40	3419	2923	597	200-600	2510	3232	170

1.1.3. Reeving 4.2

HOL [m]	LO [mm]	LW [mm]	HS [mm]	FW [mm]	Grooved Length [mm]	Max Mass [kg]	Rope Length [m]
6	2125	1629	1091	200-600	535x2	2148	95
10	2565	2069	1311	200-600	755x2	2343	135
15	3005	2509	1531	200-600	975x2	2538	175

1.2. Hoisting Data - Model ES70

1.2.1. Reeving 2.1

Load Capacity [t]	Speed (50Hz) [m/min]	Speed (60Hz) [m/min]	Rated Output [Kw]	Current [A]	ED [%]	RPM [rev/min]
6.3	0.8/5	1/6	1.88/7.5	9.45/17	40	358/1480
6.3	1.3/8	1.6/9.6	1.7/10	11.1/20.2	40	485/2960
6.3	1.7/10	2/12	2.6/16	16.9/32.1	40	476/2950
6.3	2.1/12.6	2.5/15.1	2.6/16	16.9/32.1	40	476/2950
8	0.8/5	1/6	2.38/9.5	18.95/19.3	40	365/1475
8	1.3/8	1.6/9.6	2.6/16	16.9/32.1	40	476/2950
8	1.7/10	2/12	3/18	25/33	40	235/1480
8	2.1/12.6	2.5/15.1	3.3/20	28/37	40	235/1482
10	0.8/5	1/6	2.75/11	18.7/24	40	365/1490
10	1.3/8	1.6/9.6	2.6/16	16.9/32.1	40	476/2950
10	1.7/10	2/12	3.6/22	31/41	40	233/1478
12.5	0.8/5	1/6	3.25/13	21.4/28	40	365/1490
12.5	1.3/8	1.6/9.6	3.3/20	28/37	40	235/1482

1.2.2. Reeving 4.1

Load Capacity [t]	Speed (50Hz) [m/min]	Speed (60Hz) [m/min]	Rated Output [Kw]	Current [A]	ED [%]	RPM [rev/min]
12.5	0.4 / 2.5	0.5 / 3	1.88 / 7.5	9.45 / 17	40	358 / 1480
12.5	0.7 / 4	0.8 / 4.8	1.7 / 10	11.1 / 20.2	40	485 / 2960
12.5	0.8 / 5	1 / 6	2.6 / 16	16.9 / 32.1	40	476 / 2950
12.5	1.1 / 6.3	1.3 / 7.6	2.6 / 16	16.9 / 32.1	40	476 / 2950
16	0.4 / 2.5	0.5 / 3	2.38 / 9.5	18.95 / 19.3	40	365 / 1475
16	0.7 / 4	0.8 / 4.8	2.6 / 16	16.9 / 32.1	40	476 / 2950
16	0.8 / 5	1 / 6	3 / 18	25 / 33	40	235 / 1480
16	1.1 / 6.3	1.3 / 7.6	3.3 / 20	28 / 37	40	235 / 1482
20	0.4 / 2.5	0.5 / 3	2.75 / 11	18.7 / 24	40	365 / 1490
20	0.7 / 4	0.8 / 4.8	2.6 / 16	16.9 / 32.1	40	476 / 2950
20	0.8 / 5	1 / 6	3.6 / 22	31 / 41	40	233 / 1478
25	0.4 / 2.5	0.5 / 3	3.25 / 13	21.4 / 28	40	365 / 1490
25	0.7 / 4	0.8 / 4.8	3.3 / 20	28 / 37	40	235 / 1482

1.2.3. Reeving 4.2

Load Capacity [t]	Speed (50Hz) [m/min]	Speed (60Hz) [m/min]	Rated Output [Kw]	Current [A]	ED [%]	RPM [rev/min]
6.3	0.8 / 5	1 / 6	1.88 / 7.5	9.45 / 17	40	358 / 1480
6.3	1.3 / 8	1.6 / 9.6	1.7 / 10	11.1 / 20.2	40	485 / 2960
6.3	1.7 / 10	2 / 12	2.6 / 16	16.9 / 32.1	40	476 / 2950
6.3	2.1 / 12.6	2.5 / 15.1	2.6 / 16	16.9 / 32.1	40	476 / 2950
8	0.8 / 5	1 / 6	2.38 / 9.5	18.95 / 19.3	40	365 / 1475
8	1.3 / 8	1.6 / 9.6	2.6 / 16	16.9 / 32.1	40	476 / 2950
8	1.7 / 10	2 / 12	3 / 18	25 / 33	40	235 / 1480
8	2.1 / 12.6	2.5 / 15.1	3.3 / 20	28 / 37	40	235 / 1482
10	0.8 / 5	1 / 6	2.75 / 11	18.7 / 24	40	365 / 1490
10	1.3 / 8	1.6 / 9.6	2.6 / 16	16.9 / 32.1	40	476 / 2950
10	1.7 / 10	2 / 12	3.6 / 22	31 / 41	40	233 / 1478
12.5	0.8 / 5	1 / 6	3.25 / 13	21.4 / 28	40	365 / 1490
12.5	1.3 / 8	1.6 / 9.6	3.3 / 20	28 / 37	40	235 / 1482

1.3. Cross Travel Data - Model ES70

1.3.1. Reeving 2.1

Load Capacity [t]	Speed (50Hz) [m/min]	Speed (60Hz) [m/min]	Rated Output [Kw]	Current [A]	ED [%]	RPM [rev/min]
6.3/8/10/12.5	6	7.2	0.37	1.1	40	1380
6.3/8/10/12.5	12	14.4	0.75	2	40	1400
6.3/8/10/12.5	2.5/10	3/12.5	075	1.50/2.50	40	690/2860
6.3/8/10/12.5	5/20	6/24	1.1	1.45/2.50	40	680/2880

1.3.2. Reeving 4.1

Load Capacity [t]	Speed (50Hz) [m/min]	Speed (60Hz) [m/min]	Rated Output [Kw]	Current [A]	ED [%]	RPM [rev/min]
12.5/ 16 / 20 / 25	6	7.2	0.37	1.1	40	1380
12.5/ 16 / 20 / 25	12	14.4	0.55	1.6	40	1380
12.5/ 16 / 20 / 25	2.5/10	3/12.5	0.55	1.10/1.80	40	670/2895
12.5/ 16 / 20 / 25	5/20	6/24	0.75	1.50/2.50	40	690/2860

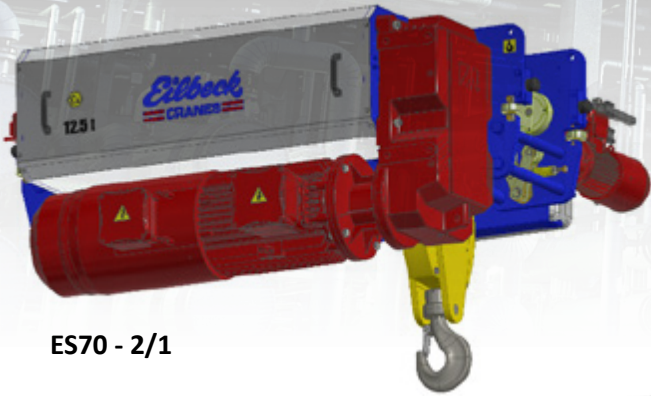
1.3.3. Reeving 4.2

Load Capacity [t]	Speed (50Hz) [m/min]	Speed (60Hz) [m/min]	Rated Output [Kw]	Current [A]	ED [%]	RPM [rev/min]
6.3 / 8 / 10 / 12.5	6	7.2	0.12	0.62	40	1380
6.3 / 8 / 10 / 12.5	12	14.4	0.18	0.67	40	1340
6.3 / 8 / 10 / 12.5	2.5/10	3/12.5	0.3	0.57/1.50	40	670/2850
6.3 / 8 / 10 / 12.5	5/20	6/24	0.3	0.57/1.50	40	670/2850

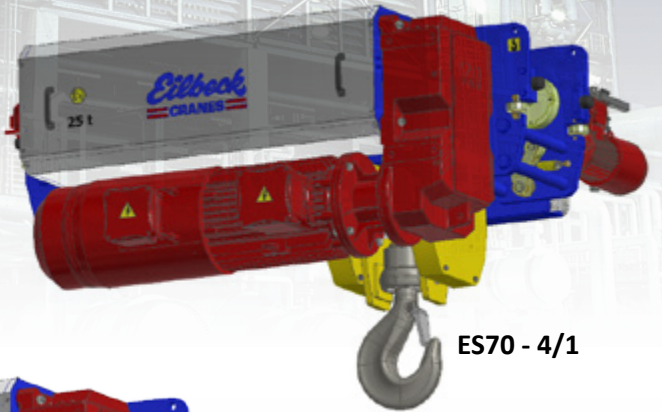
1.4. Torque Settings

ES Series Hoists Torque Table						
Minimum Tensile Strength MPa	M6 – M16: 800 M20-M30: 830		1040		12.9 Socket Head Cap Screw	
Nominal Size and Thread Pitch	Bolt Torque Specs in Newton Meters - Nm					
	Dry	Lubed	Dry	Lubed	Dry	Lubed
M5 x 0.80	6.1	4.6	8.8	6.7	10.3	7.7
M6 x 1.00	10.4	7.8	15	11.2	17.6	13.1
M7 X 1.00	17.6	131	25.1	18.9	29.4	22
M8 X 1.25	25.4	19.1	37.6	27.3	42.6	32.1
M10 X 1.50	50	38	72	54	84	64
M12 X 1.75	88	66	126	94	146	110
M14 X 2.00	141	106	201	150	235	176
M16 X 2.00	218	164	312	233	365	274
M18 X 2.50	301	226	431	323	504	378
M20 X 2.50	426	319	603	457	712	534
M22 X 2.50	580	435	831	624	971	728
M24 X 3.00	736	552	1052	789	1231	923
M27 X 3.00	1079	809	1544	1158	1805	1353
M30 X 3.50	1463	1097	2092	1570	2446	1834
M33 X 3.50	1990	1493	2849	2137	3328	2497
M36 X 4.00	2557	1918	3659	2744	4276	3208

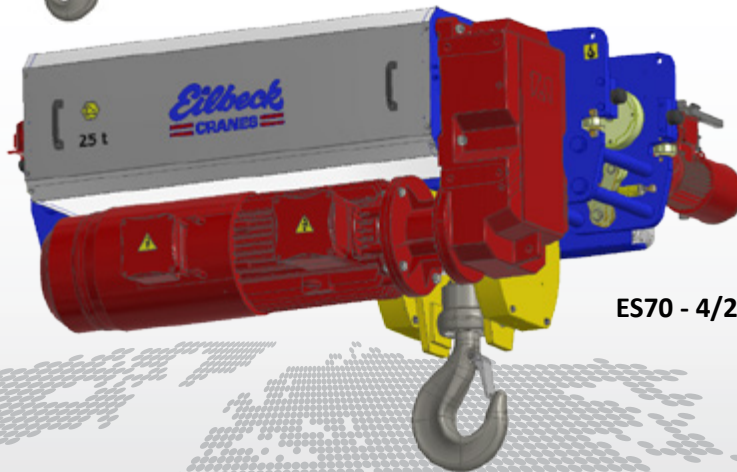
EC GLOBAL



ES70 - 2/1



ES70 - 4/1



ES70 - 4/2

ATEX 

IEC 

FPAL
empowered by Achilles

Registered

NATA
ACCREDITED FOR
**TECHNICAL
COMPETENCE**

www.exproofcranes.com

Perth - Manufacturing

28 Jackson Street
Bassendean WA 6054
Phone: 61 (08) 9279 4800
Fax: 61 (08) 9378 3689
perth@eilbeckcranes.com

Perth - Manufacturing

11 Yelland Way
BassendeanWA 6054
Phone: 61 (08) 9379 3724
Fax: 61 (08) 9378 3689
perth@eilbeckcranes.com

Perth - Manufacturing

14 Yelland Way
Bassendean WA 6054
Phone: 61 (08) 9379 3724
Fax: 61 (08) 9378 3689
perth@eilbeckcranes.com

Sydney - Manufacturing

6 Moorlands Road
Ingleburn NSW 2565
Phone: 61 (02) 9829 3700
Fax: 61 (02) 9829 3500
sydney@eilbeckcranes.com

Sydney - Machine Shop

53 Lancaster Street
Ingleburn NSW 2565
Phone: 61 (02) 9618 1904
Fax: 61 (02) 9605 5171
sydney@eilbeckcranes.com

Mackay - Manufacturing

32 Diesel Drive
Paget QLD 4740
Phone: 61 (07) 4998 5599
Fax: 61 (07) 4998 5756
mackay@eilbeckcranes.com