

(1) EU-TYPE EXAMINATION CERTIFICATE



- (2) Equipment and Protective Systems intended for use in Potentially Explosive Atmosphere - **Directive 2014/34/EU**
- (3) EU-Type Examination Certificate Number

TÜV 18 ATEX 8196 X

Issue: 00

(4) Equipment: **Flat cable gland – M63, M50, M40 and M32**

(5) Manufacturer: **Eilbeck Cranes**
(6) Address: **53 Lancaster St,
Ingleburn, NSW 2565
Australia**

(7) This product and any acceptable variation thereto are specified in the schedule to this certificate and the documents therein referred to.

(8) The TÜV Rheinland Zertifizierungsstelle für Explosionsschutz of TÜV Rheinland Industrie Service GmbH, Notified Body No. 0035 in accordance with Article 21 of the Council Directive 2014/34/EU of 26th February 2014, certifies this product which has been found to comply with the Essential Health and Safety Requirements relating to the design and construction of equipment and protective systems intended for use in potentially explosive atmosphere, given in Annex II to the Directive.

The examination and test results are recorded in the confidential report 557/Ex 8196.00/18

(9) Compliance with the Essential Health and Safety Requirements, with the exception of those listed in the schedule of this certificate, has been assessed by reference to:

**EN 60079-0:2012/A11:2013;
EN 60079-31:2014**

EN 60079-7:2015;

(10) If the sign "X" is placed after the certificate number, it indicates that the equipment is subject to special conditions for safe use specified in the schedule to this certificate.

(11) This EU-Type Examination Certificate relates only to the design and specification for construction of the equipment or protective system. It does not cover the process for actual manufacture or supply of the equipment or protective system, for which further requirements of the directive are applicable.

(12) The marking of the equipment shall include the following:



**II 2 G Ex eb IIC Gb
II 2 D Ex tb IIIC Db**

TÜV Rheinland Zertifizierungsstelle für Explosionsschutz

Cologne, 2018-06-11

Dipl.-Ing. Klauspeter Graffi

This EU-Type Examination Certificate without signature and stamp shall not be valid.
This EU-Type Examination Certificate may be circulated only without alteration. Extracts or alterations are subject to approval by the TÜV Rheinland Industrie Service GmbH TÜV Rheinland Group Am Grauen Stein 51105 Köln
Tel. +49 (0) 221 806-0 Fax. + 49 (0) 221 806 114

(13) Annex

(14) **EU Type Examination Certificate**
TÜV 18 ATEX 8196 X Issue: 00

(15) Description of equipment

15.1 Equipment and type:

Flat cable gland – M63, M50, M40 and M32

15.2 Description / Details of Change

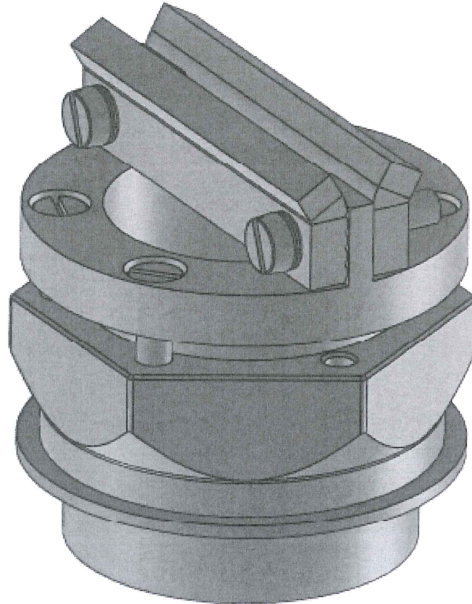
The range of glands are intended for use with flat cables in Group II and Group III explosive environments. The entry thread sizes include M63, M50, M40, M32 all with a 1.5mm pitch. The cable has a silicon sealing ring which is compressed with slotted washers by a collar with at least 4 screws at a minimum torque of 0.5Nm. The cable clamping mechanism is by the use of two independent clamping jaws 6mm thick and have a slightly corrugated 10mm clamping face for the full width. Unless specified in the conditions of use the clamping arrangement is designed so that the jaws bottom out on the body of the gland.

The range of glands has a service temperature range of -40°C to 130°C. A Nylon IP sealing ring provides Ingress Protection to the enclosure.

The range of glands include the following:

Gland	Thread size	Cable Width		Cable Height	
		Max	Min	Max	Min
ECE-SED-100	M63	47.5mm	43.5mm	7.2mm	6.0mm
ECE-SED-200	M50	33.9mm	31.0mm	7.8mm	6.6mm
ECE-SED-201	M50	33.1mm	30.0mm	11.0mm	9.9mm
ECE-SED-300	M40	29.1mm	26.1mm	6.4mm	5.4mm
ECE-SED-301	M40	28.0mm	25.4mm	10.3mm	8.7mm
ECE-SED-302	M40	25.3mm	23.0mm	9.4mm	8.0mm
ECE-SED-400	M32	20.7mm	18.7mm	7.8mm	6.6mm
ECE-SED-401	M32	17.3mm	15.6mm	6.4mm	5.4mm

This EU Type Examination Certificate without signature and official stamp shall not be valid.
 This certificate may be circulated without alteration. Extracts or alterations are subject to approval by:
 Zertifizierungsstelle of TÜV Rheinland Industrie Service GmbH



M50 Style Gland

Technical Data

Service temperature

Tamb -40°C ≤ to ≤ +130°C

(16) Test-Report No. 557/Ex 8196.00/18

This EU Type Examination Certificate without signature and official stamp shall not be valid.
This certificate may be circulated without alteration. Extracts or alterations are subject to approval by:
Zertifizierungsstelle of TÜV Rheinland Industrie Service GmbH

(17) Special Conditions for safe use

(1) Flat cables with the following dimensional ranges are to be used:

Gland	Width		Height	
	Max	Min	Max	Min
ECE-SED-100	47.5mm	43.5mm	7.2mm	6.0mm
ECE-SED-200	33.9mm	31.0mm	7.8mm	6.6mm
ECE-SED-201	33.1mm	30.0mm	11.0mm	9.9mm
ECE-SED-300	29.1mm	26.1mm	6.4mm	5.4mm
ECE-SED-301	28.0mm	25.4mm	10.3mm	8.7mm
ECE-SED-302	25.3mm	23.0mm	9.4mm	8.0mm
ECE-SED-400	20.7mm	18.7mm	7.8mm	6.6mm
ECE-SED-401	17.3mm	15.6mm	6.4mm	5.4mm

- (2) The clamping screws for ECE-SED-301 and ECE-SED-302 shall have a minimum torque of 1Nm applied
- (3) Cables shall not be allowed to enter the cable clamp at angles greater than $\pm 30^\circ$.
- (4) The equipment may be used in the ambient temperature range of -40°C to 130°C .

(18) Basic Safety and Health Requirements

Covered by afore mentioned standard

TÜV Rheinland Zertifizierungsstelle für Explosionsschutz

Cologne, 2018-06-11

Dipl.-Ing. Klauspeter Graffi



This EU Type Examination Certificate without signature and official stamp shall not be valid.
 This certificate may be circulated without alteration. Extracts or alterations are subject to approval by:
 Zertifizierungsstelle of TÜV Rheinland Industrie Service GmbH